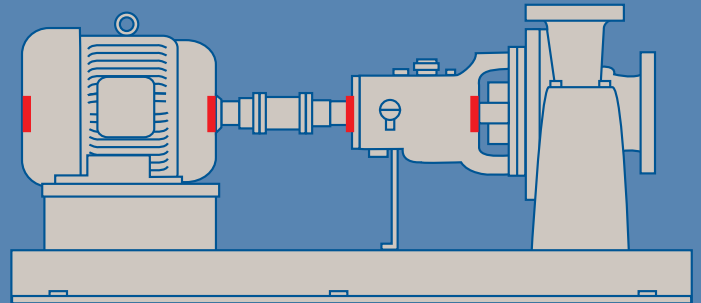




Bearing Gard™ Bearing Isolator

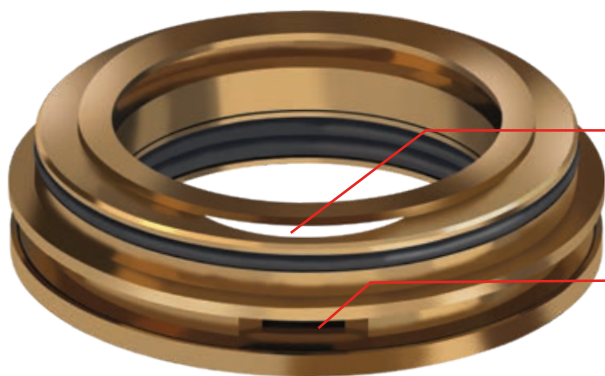
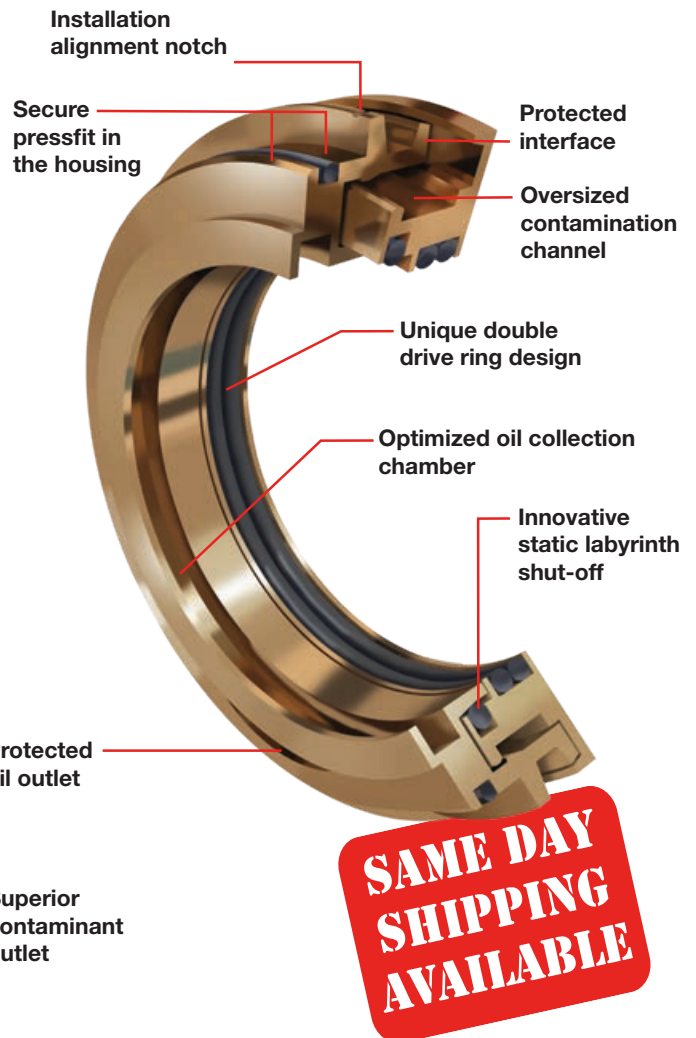
Bearing Gard protection technology delivers reliable isolation from contamination to keep bearings running cleaner longer.



Designed to offer superior protection for your bearing housing

Bearing Gard bearing isolators directly assist equipment reliability by creating a strong barrier against external contamination.

- Static protection is assured by an internal O-ring between the rotor and stator.
- Dynamic protection is provided by a tortuous labyrinth that effectively repels severe environmental conditions.
- Standard design accommodates axial shaft movement of 0.63 mm (0.025 in) TIR
- Static sealing quickly transitions to non-contacting operation for consistent performance and will not wear on the shaft or equipment.
- Oil retention features work to keep oil inside the bearings and off the ground.





Bearing Gard™ Bearing Isolator

Same-day shipping available

Working to keep industry running, Flowserve offers the Bearing Gard isolator with same-day shipping in North America of equipment-specific and made-to-order designs.

We are continuously expanding our product range and custom engineered solutions. Your local Flowserve representative will guide you through the selection and ordering process.

General guidelines for made-to-order designs with same-day shipping

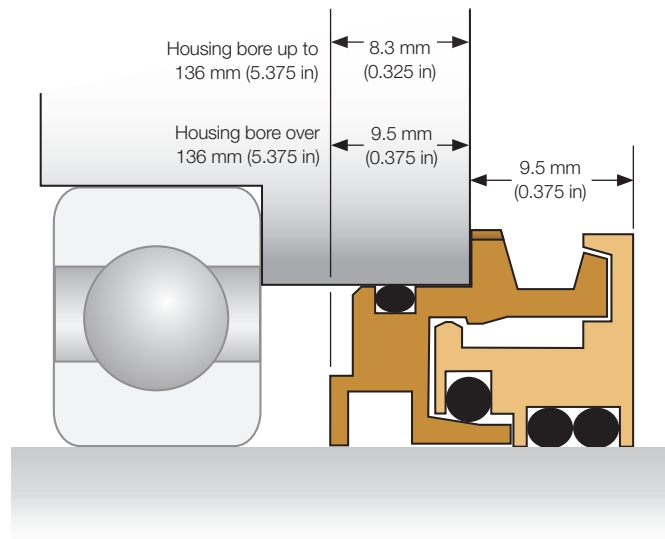
Shaft diameter	23 – 203 mm (0.875 – 8.000 in)
Housing bore	20 – 50 mm (0.750 – 2.000 in) over shaft diameter for shaft sizes up to 150 mm (6.000 in)
Housing bore	25 – 50 mm (1.000 – 2.000 in) over shaft diameter for shaft sizes over 150 mm (6.000 in)
Axial insertion/extension	See cross-section view
Maximum axial movement	0.63 mm (0.025 in) TIR
Maximum radial runout	0.13 mm (0.005 in) TIR
Speed	To 30 m/s (100 ft/s)
Rotor and stator	Bronze
O-rings	Fluoroelastomer
Bearing lubrication	Oil splash, grease, oil mist, dry lubrication, non-flooded conditions

Bearing Gard isolators fit a wide range of rotating equipment

Typical applications include pumps, motors, gearboxes and general lip seal replacements. Equipment-specific Bearing Gard isolator designs are available or Flowserve will rapidly design a custom solution.

In addition to extensive in-house hurricane simulation testing, the Bearing Gard isolator meets or exceeds the following industry standards and certifications:

- API 610
- IEEE-841
- IP-66
- ATEX



Headquarters
Flowserve Corporation
5215 North O'Connor Blvd.
Suite 2300
Irving, Texas 75039-5421 USA
Telephone: +1 937 890 5839

USA and Canada
Kalamazoo, Michigan USA
Telephone: +1 269 381 2650

Europe, Middle East, Africa
Etten-Leur, The Netherlands
Telephone: +31 765 028 200

Asia Pacific
Singapore
Telephone: +65 6544 6800

Latin America
Mexico City
Telephone: +52 55 5567 7170

FSD257-NAb (E) May 2019

Flowserve Corporation has established industry leadership in the design and manufacture of its products. When properly selected, this Flowserve product is designed to perform its intended function safely during its useful life. However, the purchaser or user of Flowserve products should be aware that Flowserve products might be used in numerous applications under a wide variety of industrial service conditions. Although Flowserve can provide general guidelines, it cannot provide specific data and warnings for all possible applications. The purchaser/user must therefore assume the ultimate responsibility for the proper sizing and selection, installation, operation, and maintenance of Flowserve products. The purchaser/user should read and understand the Installation Instructions included with the product, and train its employees and contractors in the safe use of Flowserve products in connection with the specific application.

While the information and specifications contained in this literature are believed to be accurate, they are supplied for informative purposes only and should not be considered certified or as a guarantee of satisfactory results by reliance thereon. Nothing contained herein is to be construed as a warranty or guarantee, express or implied, regarding any matter with respect to this product. Because Flowserve is continually improving and upgrading its product design, the specifications, dimensions and information contained herein are subject to change without notice. Should any question arise concerning these provisions, the purchaser/user should contact Flowserve Corporation at any one of its worldwide operations or offices.

©2019 Flowserve Corporation. All rights reserved. This document contains registered and unregistered trademarks of Flowserve Corporation. Other company, product, or service names may be trademarks or service marks of their respective companies.